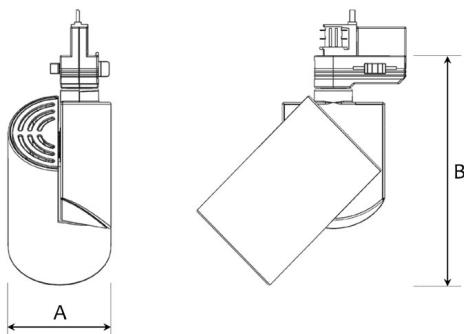




Spot		Medium		Flood	
18°		31°		42°	
m	ø	m	ø	m	ø
1.0	0.32	1.0	0.56	1.0	0.78
2.0	0.64	2.0	1.12	2.0	1.55
3.0	0.96	3.0	1.68	3.0	2.33



A 87 B 190 (mm)

## Zylinder mini 2000

### Technical specification

Track light with incorporated electronic gear and Chip on board. High quality reflector with three different beam spreads. Lamp housing of die-cast aluminium for optimal cooling, long lifetime and low weight. Black front ring.

**Model and colors** Available in white, black and grey.

**Accessories** Flaps kit

**Area of use** Track light for indoor applications.

### Technical data

Mains (input) voltage	220-240 V
Total weight	0,67 kg
Form of protection	IP 20, class I
Color temperature	3 000 K
Light source	LED
Operating position	360°/90°
Start time	Instant
Driver	Built in
Optics	Metalized aluminum reflector
Beam spreads	Spot, Medium, Flood

Art no	Description	Color
298-510-10	Spot	White
298-510-20	Spot	Black
298-510-30	Spot	Grey
298-511-10	Medium	White
298-511-20	Medium	Black
298-511-30	Medium	Grey
298-512-10	Flood	White
298-512-20	Flood	Black
298-512-30	Flood	Grey
298-210-100-xx*	Flaps kit	
298-314-001	Filter holder	
298-315-001	Honeycomb filter	

Type	Delivered lumen output (lm)	System power (W)	EEI <sup>3</sup>
830	2000	17	A++
930	1900	19	A+
840	1900	15	A++
940	1900	17	A++

### Note

\*Art nr. xx = Depends on beamspread and colour choice.

Product available in other Kelvin temperatures by request. Final shipping destination may require minor modifications of components as well as article numbers, be sure to state the country in which the fixtures will be used. North American versions also available.