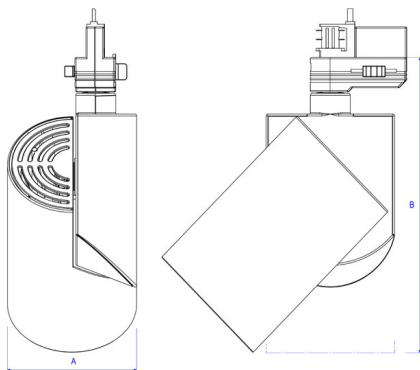




Spot		Medium		Flood		Wide Flood	
14°		25°		37°		57°	
m	ø	m	ø	m	ø	m	ø
1.0	0.25	1.0	0.44	1.0	0.68	1.0	1.08
2.0	0.51	2.0	0.88	2.0	1.35	2.0	2.15
3.0	0.76	3.0	1.32	3.0	2.03	3.0	3.23



A 103,5 B 227 (mm)

Zylinder 3000

Technical specification

Track light with incorporated electronic gear and Chip on board. High quality reflectors with four different beam spreads. Lamp housing of die-cast aluminium for optimal cooling, long lifetime and low weight. Black front ring.

Model and colors Available in white, black and grey.

Area of use Track light for indoor applications.

Technical data

Mains (input) voltage	220-240 V
Total weight	0,91 kg
Form of protection	IP 20, class I
Color temperature	3 000 K
Light source	LED
Operating position	360°/90°
Driver	Built in
Optics	Metalized aluminum reflector
Beam spreads	Spot, Medium, Flood, Wide flood

Art no

288-500-10
288-500-20
288-500-30
288-501-10
288-501-20
288-501-30
288-502-10
288-502-20
288-502-30
288-503-10
288-503-20
288-503-30
288-220-001
288-324-001
288-325-001

Description

Spot
Spot
Spot
Medium
Medium
Medium
Flood
Flood
Flood
Wide Flood
Wide Flood
Wide Flood
Flaps Kit
Filter holder
Honeycomb filter

Color

White
Black
Grey
White
Black
Grey
White
Black
Grey
White
Black
Grey

Type	Delivered lumen output (lm)	System power (W)	EEI ³
830	2900	26	A++
930	2900	30	A+
840	3000	26	A++
940	2900	29	A+

Note

Product available with meat or bread COB on request. Product available in other Kelvin temperatures on request. Final shipping destination may require minor modifications of components as well as article numbers, be sure to state the country in which the fixtures will be used.