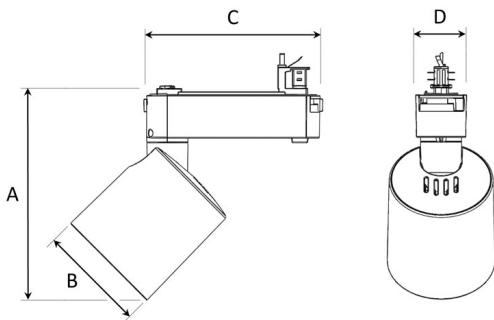




Spot		Medium		Flood		Wide Flood	
14°		25°		37°		57°	
m	ø	m	ø	m	ø	m	ø
1.0	0.25	1.0	0.44	1.0	0.68	1.0	1.08
2.0	0.51	2.0	0.88	2.0	1.35	2.0	2.15
3.0	0.76	3.0	1.32	3.0	2.03	3.0	3.23



A 198 B 104 C 167 D 49 (mm)

## Revoc 3000

### Technical specification

Track light with incorporated electronic gear and Chip on board. High quality reflectors with four different beam spreads. Lamp housing of die-cast aluminium for optimal cooling, long lifetime and low weight. Black front ring.

**Model and colors** Available in white, black and grey.

**Area of use** Track light for indoor applications.

### Technical data

Mains (input) voltage	220-240 V
Total weight	1 kg
Form of protection	IP 20, class I
Color temperature	3 000 K
Light source	LED
Operating position	360°/90°
Driver	Built in
Optics	Metalized aluminum reflector
Beam spreads	Spot, Medium, Flood, Wide flood

### Art no

287-500-10  
287-500-20  
287-500-30  
287-501-10  
287-501-20  
287-501-30  
287-502-10  
287-502-20  
287-502-30  
287-503-10  
287-503-20  
287-503-30  
288-220-001  
288-324-001

### Description

Spot  
Spot  
Spot  
Medium  
Medium  
Medium  
Flood  
Flood  
Flood  
Wide flood  
Wide flood  
Wide flood  
Flaps  
Filter holder

### Color

White  
Black  
Grey  
White  
Black  
Grey  
White  
Black  
Grey  
White  
Black  
Grey

Type	Delivered lumen output (lm)	System power (W)	EEI <sup>3</sup>
830	2900	26	A++
930	2900	30	A+
840	3000	26	A++
940	2900	29	A+

### Note

Product available with meat or bread COB on request. Product available in other Kelvin temperatures on request. Final shipping destination may require minor modifications of components as well as article numbers, be sure to state the country in which the fixtures will be used.