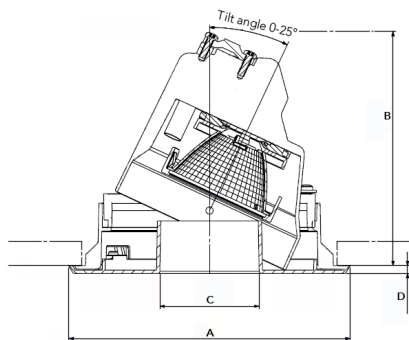




Spot		Medium	
13°		27°	
m	ø	m	ø
1.0	0.23	1.0	0.48
2.0	0.47	2.0	0.95
3.0	0.70	3.0	1.43



A 126 B 105 C 44,4 D 3,5 (mm)

## Ray 1000

### Technical specification

Tiltable and rotating down light with chip on board and separated NL Power LED electronic ballast for optimal life time and light flow performance. High quality reflector with two different beam spreads. Lamp housing of die-cast aluminium for optimal cooling and low weight.

**Model and colors** Available in black housing with white, black or grey front rim.

**Area of use** Down light for indoor applications.

### Technical data

Mains (input) voltage	220-240 V
Total weight	0.4 kg
Color temperature	3 000 K
Light source	LED
Operating position	Vertical/fixed
Start time	Instant
Driver	Included
Optics	Metalized aluminum reflector
Beam spreads	Spot, Medium

Art no	Description	Color
317-500-10	Spot	White
317-500-20	Spot	Black
317-500-30	Spot	Grey
317-501-10	Medium	White
317-501-20	Medium	Black
317-501-30	Medium	Grey

Type	Delivered lumen output (lm)	System power (W)	EEI <sup>3</sup>
830	760	14,2	A+
930	800	15,9	A+

### Note

Product available in other Kelvin temperatures on request. Final shipping destination may require minor modifications of components as well as article numbers, be sure to state the country in which the fixtures will be used.



Saw instruction: ø 114 mm