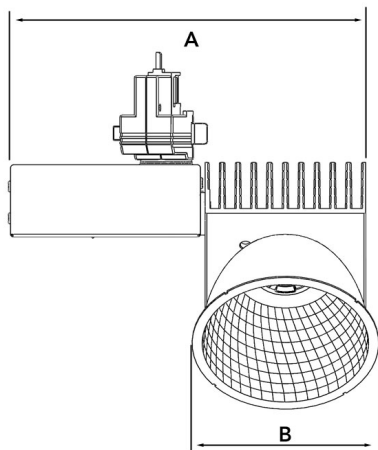




Spot		Medium		Flood		Wide Flood	
14°		28°		39°		54°	
m	ø	m	ø	m	ø	m	ø
1.0	0.25	1.0	0.50	1.0	0.72	1.0	1.02
2.0	0.49	2.0	1.00	2.0	1.43	2.0	2.04
3.0	0.74	3.0	1.50	3.0	2.15	3.0	3.06



A 213 B 111 (mm)

Hyper 4000

Technical specification

Track light with incorporated electronic gear and Chip on board. High quality reflectors with four different beam spreads. Lamp housing of die-cast aluminium for optimal cooling, long lifetime and low weight.

Model and colors Available in white, black and grey.

Accessories Protective glass

Flaps kit

Area of use Track light for indoor applications.

Technical data

Mains (input) voltage	220-240 V
Total weight	0.75 kg
Form of protection	IP 20, class I
Color temperature	3 000 K
Light source	LED
Operating position	360°/90°
Start time	Instant
Driver	Built in
Optics	Metalized aluminum reflector
Beam spreads	Spot, Medium, Flood, Wide flood

Art no	Description	Color
283-510-10	Spot	White
283-510-20	Spot	Black
283-510-30	Spot	Grey
283-511-10	Medium	White
283-511-20	Medium	Black
283-511-30	Medium	Grey
283-512-10	Flood	White
283-512-20	Flood	Black
283-512-30	Flood	Grey
283-513-10	Wide flood	White
283-513-20	Wide flood	Black
283-513-30	Wide flood	Grey
274-210-100-xx*	Flaps kit	
274-322-001	Filter holder	
265-307-001	Honeycomb filter	

Type	Delivered lumen output (lm)	System power (W)	EEI ³
830	4150	40	A++
930	3600	40	A+
840	3900	35	A++
940	3800	40	A++

Note

*Art nr. xx = Depends on beamsread and colour choice.

Product available in other Kelvin temperatures on request. Final shipping destination may require minor modifications of components as well as article numbers, be sure to state the country in which the fixtures will be used.