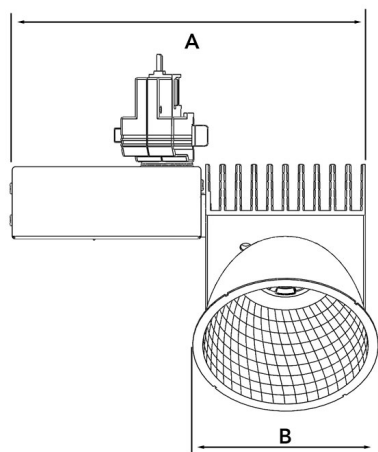


Spot		Medium		Flood		Wide Flood	
14°		28°		39°		54°	
m	ø	m	ø	m	ø	m	ø
1.0	0.25	1.0	0.50	1.0	0.72	1.0	1.02
2.0	0.49	2.0	1.00	2.0	1.43	2.0	2.04
3.0	0.74	3.0	1.50	3.0	2.15	3.0	3.06



A 213 B 111 (mm)

Hyper 3000

Technical specification

Track light with incorporated electronic gear and Chip on board. High quality reflectors with four different beam spreads. Lamp housing of die-cast aluminium for optimal cooling, long lifetime and low weight.

Model and colors Available in white, black and grey.

Accessories Protective glass

Flaps kit

Area of use Track light for indoor applications.

Technical data

Mains (input) voltage	220-240 V
Total weight	0.75 kg
Form of protection	IP 20, class I
Color temperature	3 000 K
Light source	LED
Operating position	360°/90°
Start time	Instant
Driver	Built in
Optics	Metalized aluminum reflector
Beam spreads	Spot, Medium, Flood, Wide flood

Art no

283-500-10

283-500-20

283-500-30

283-501-10

283-501-20

283-501-30

283-502-10

283-502-20

283-502-30

283-503-10

283-503-20

283-503-30

274-210-100-xx*

274-322-001

265-307-001

Description

Spot

Spot

Spot

Medium

Medium

Medium

Flood

Flood

Flood

Wide flood

Wide flood

Wide flood

Flaps kit

Filter holder

Honeycomb filter

Color

White

Black

Grey

White

Black

Grey

White

Black

Grey

White

Black

Grey

Type	Delivered lumen output (lm)	System power (W)	EEI ³
830	2900	26	A++
930	2900	30	A+
840	3000	26	A++
940	2900	29	A+

Note

*Art nr. xx = Depends on beamspread and colour choice.

Product available in other Kelvin temperatures on request. Final shipping destination may require minor modifications of components as well as article numbers, be sure to state the country in which the fixtures will be used.