



EasyPoint 4

Technical specification

Light fixture with incorporated electronic gear and Chip on board. High quality reflectors with three different beam spreads. Lamp housing of die-cast aluminium for optimal cooling, long lifetime and low weight. Fixed power cable 3,5m with plug.

Model and colors Available in white, black and grey.

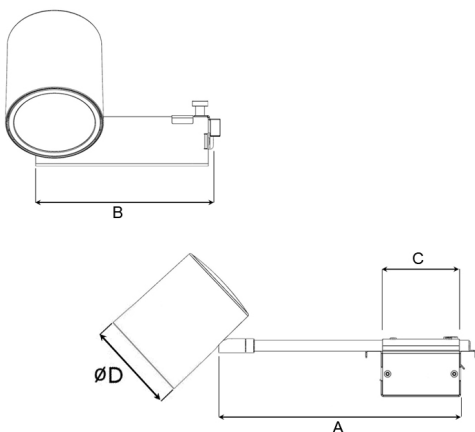
Area of use Functional ceiling for indoor applications.

Technical data

Mains (input) voltage	220-240 V
Total weight	1,3 kg
Form of protection	IP 20, class I
Light source	LED
Operating position	360°/90°
Start time	Instant
Driver	Built in
Optics	Metalized aluminum reflector
Beam spreads	Spot, Medium, Flood

Spot		Medium		Flood	
16°		31°		42°	
m	∅	m	∅	m	∅
1.0	0.28	1.0	0.56	1.0	0.78
2.0	0.57	2.0	1.12	2.0	1.55
3.0	0.85	3.0	1.68	3.0	2.33

Art no	Description	Color
321-533-10	Spot	White
321-533-20	Spot	Black
321-533-30	Spot	Grey
321-534-10	Medium	White
321-534-20	Medium	Black
321-534-30	Medium	Grey
321-535-10	Flood	White
321-535-20	Flood	Black
321-535-30	Flood	Grey



A 225 B 150 C 74 D 84 (mm)

Type	Delivered lumen output (lm)	System power (W)	EEI ³
830	3000	30	A+
930	2900	33	A+
840	2950	26	A++
940	2900	30	A+

Note

Product available in other Kelvin temperatures on request. Final shipping destination may require minor modifications of components as well as article numbers, be sure to state the country in which the fixtures will be used.